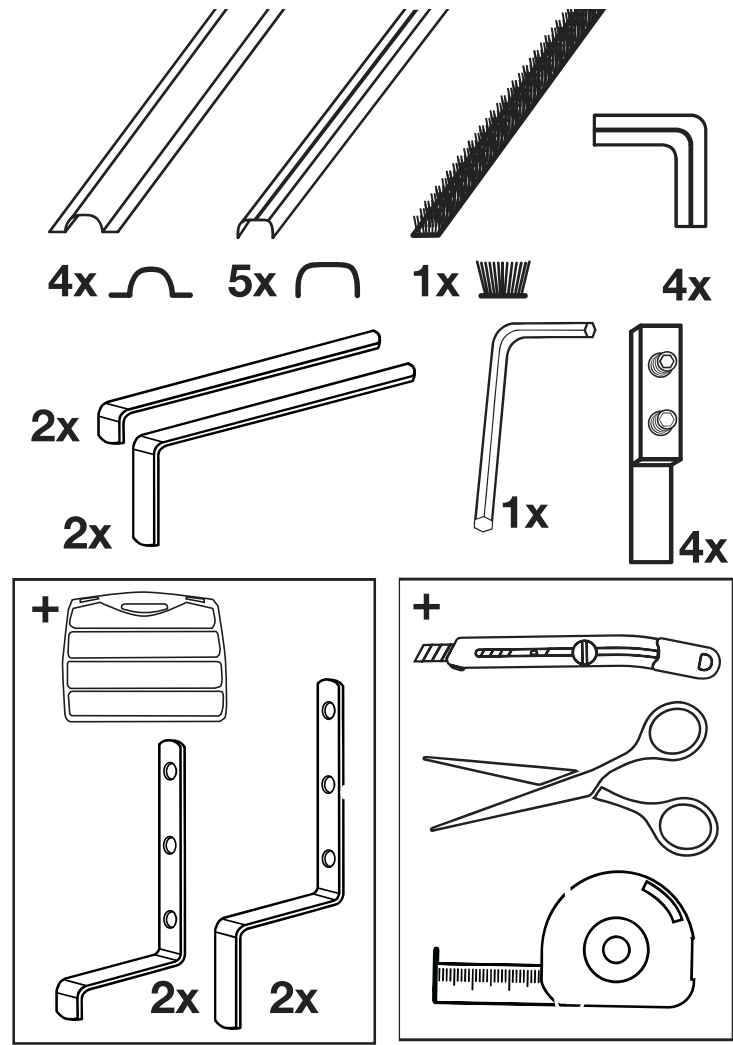
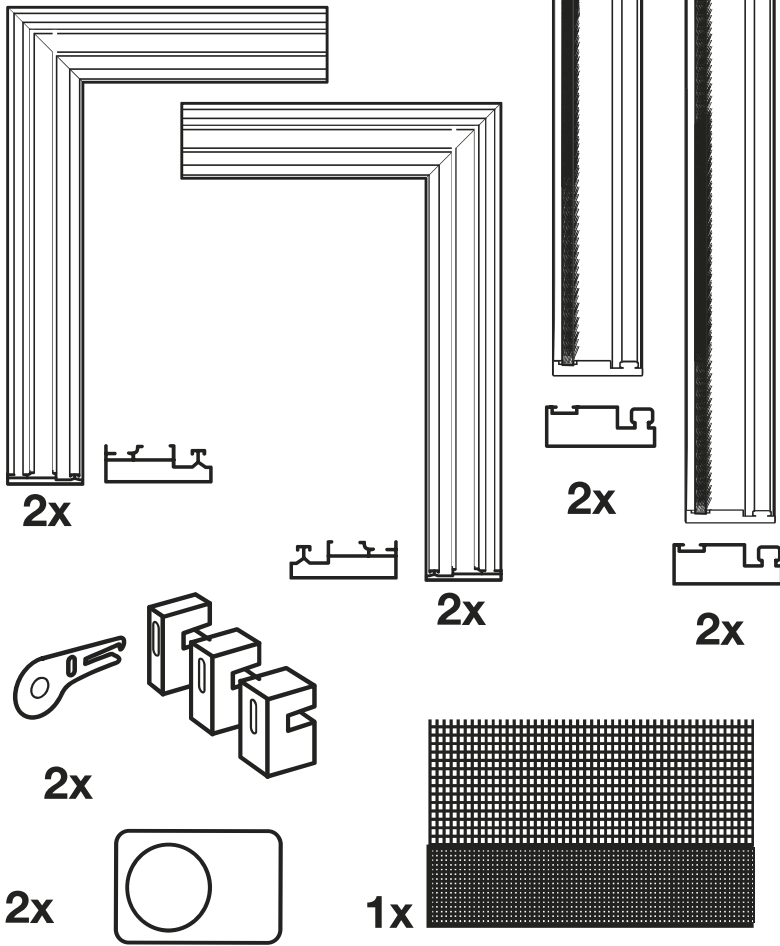
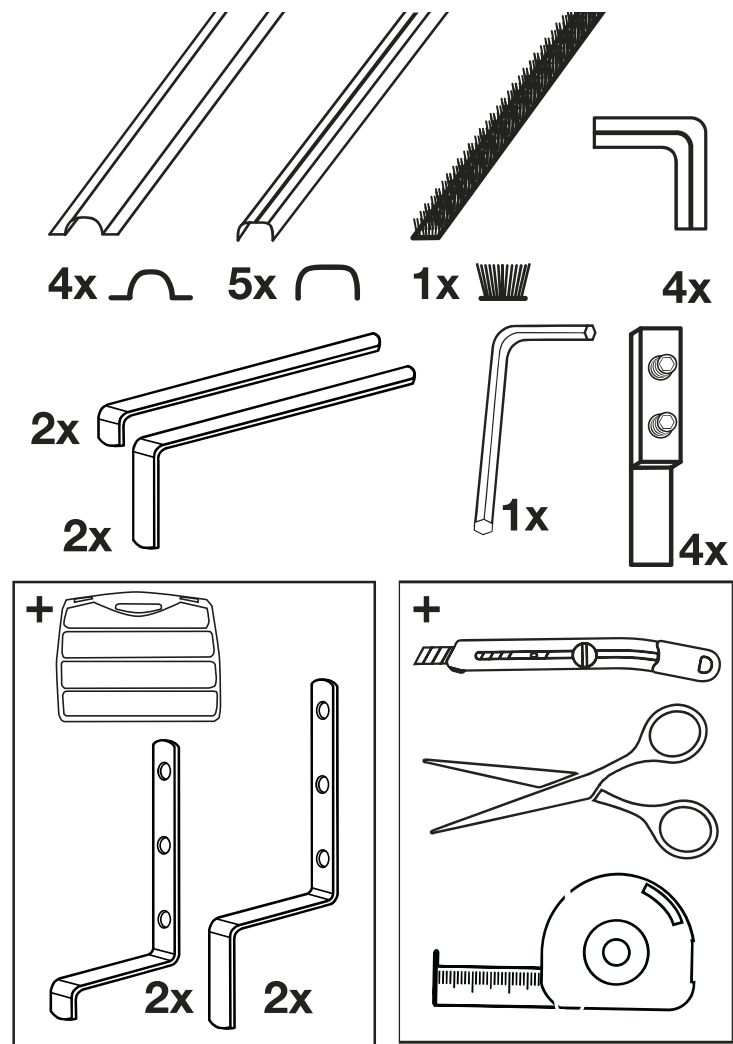
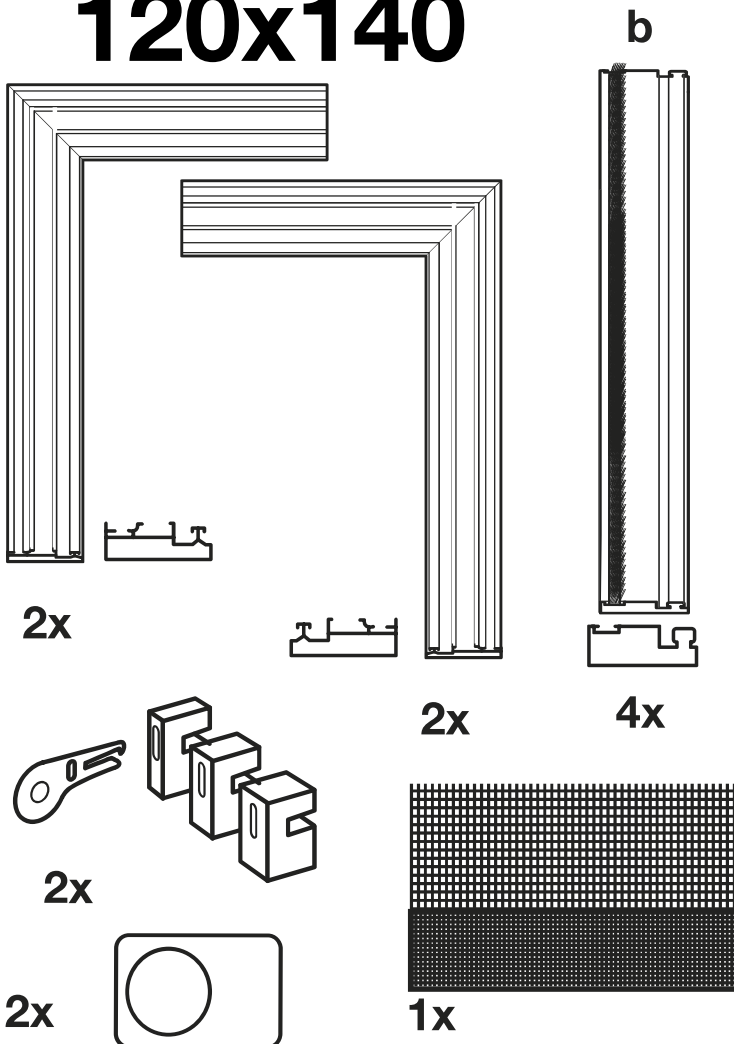


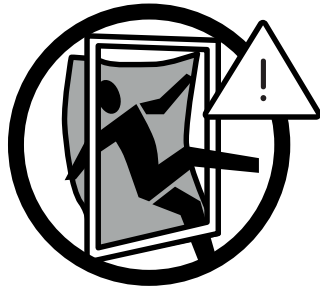
# 80x100



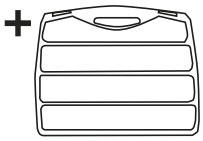
# 120x140



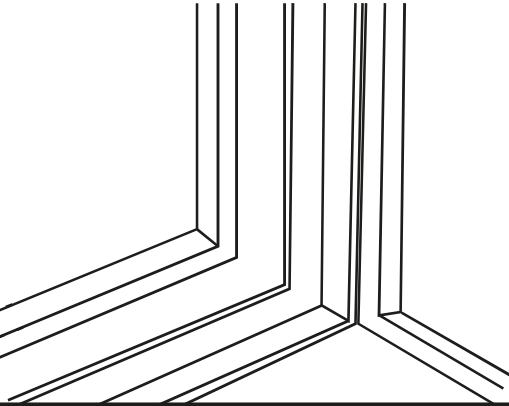




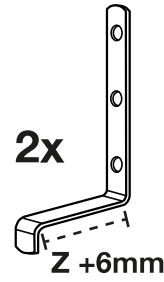
1a



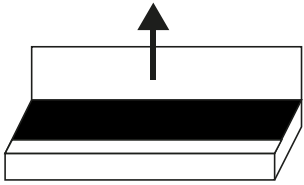
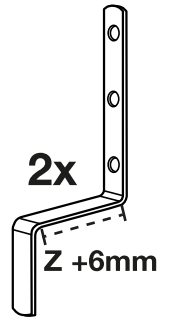
Z



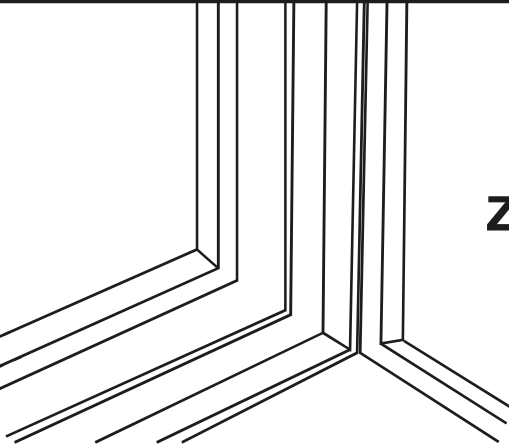
2x



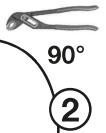
2x



Z

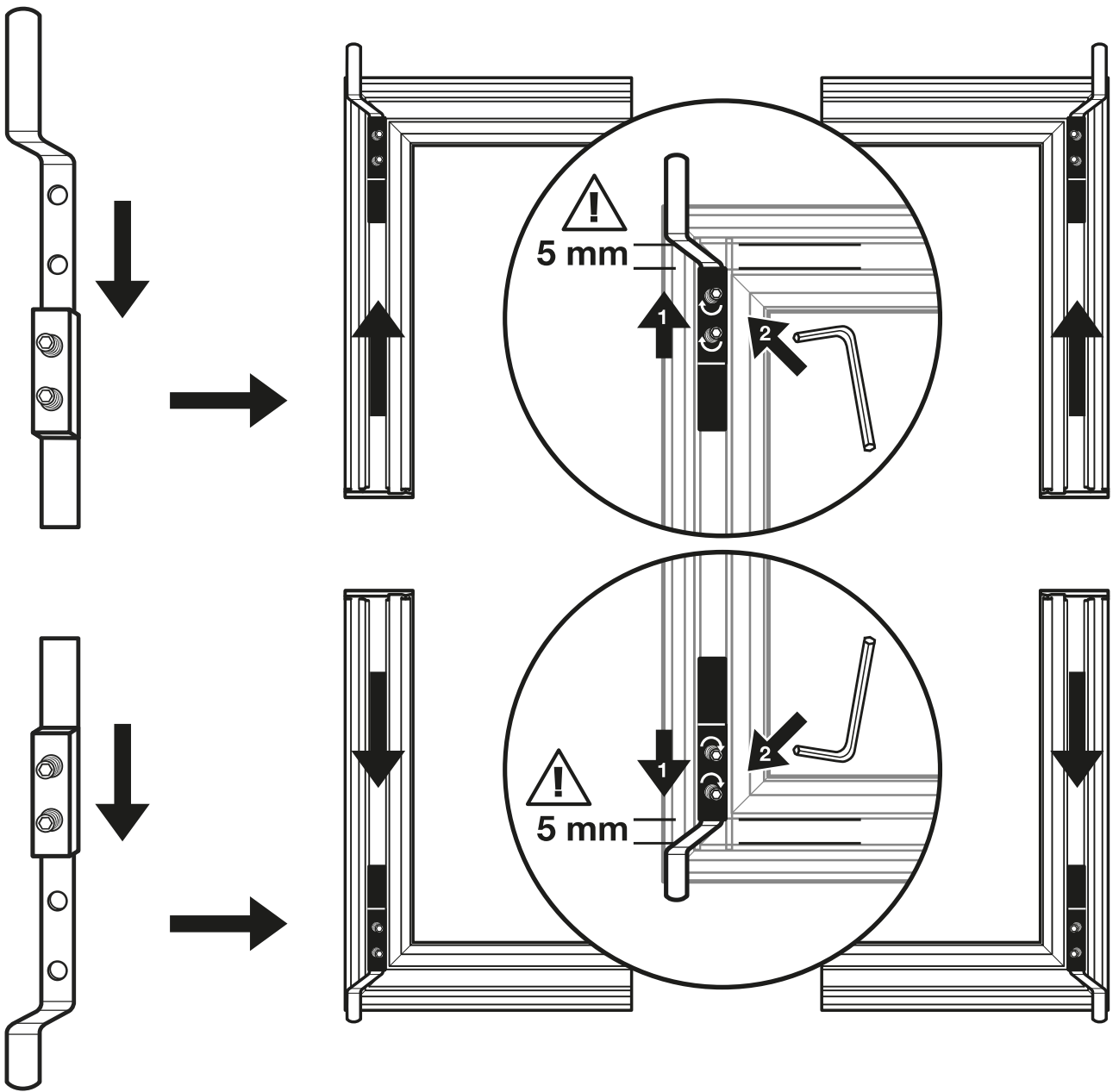


Z +6 mm

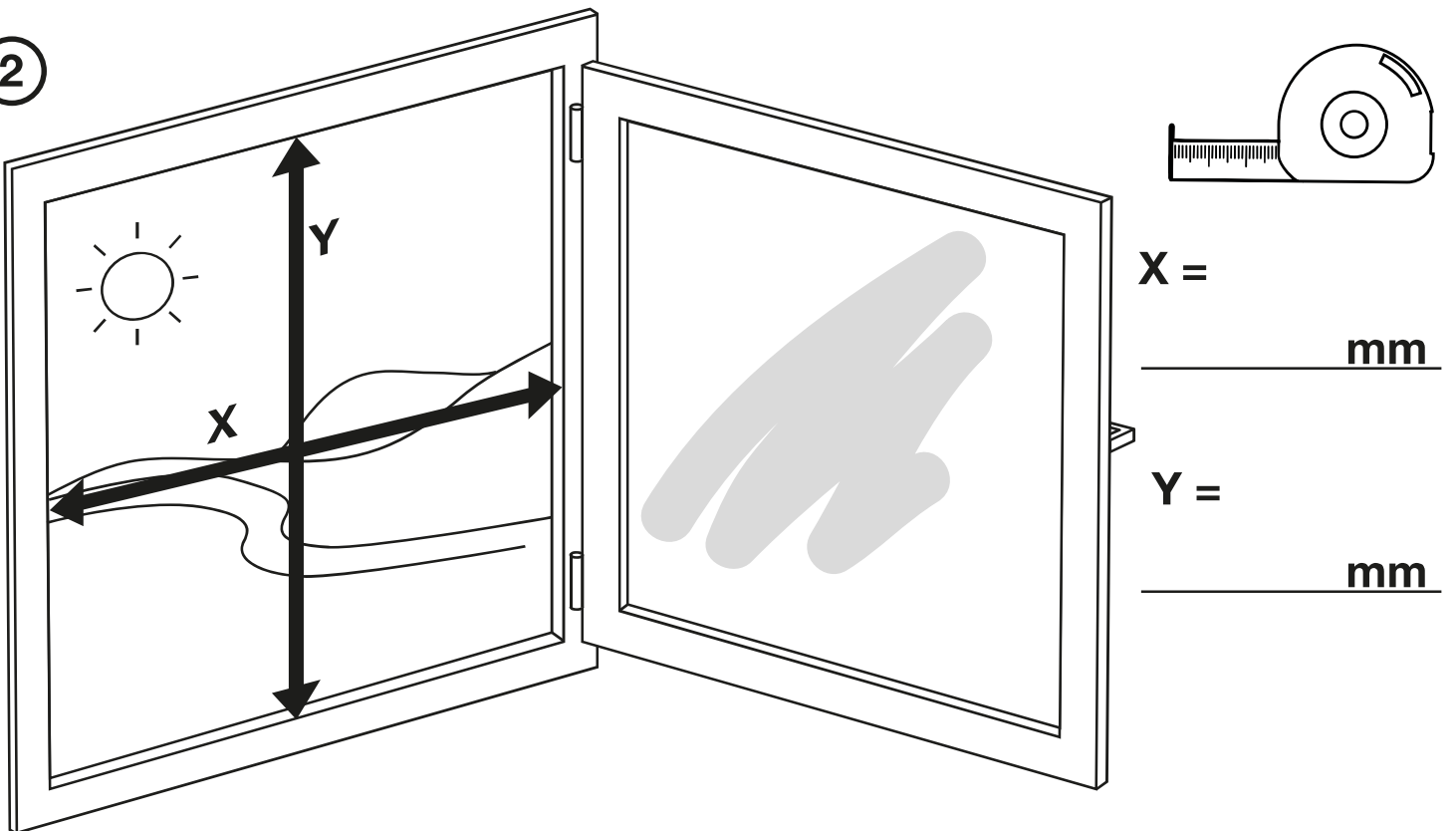


4x

1b



2



3

**120x140**

Y = \_\_\_\_\_ mm

$L = \frac{Y}{2} - 380 =$  \_\_\_\_\_ mm

**80x100**

Y = \_\_\_\_\_ mm

$L = \frac{Y}{2} - 265 =$  \_\_\_\_\_ mm

**120x240**

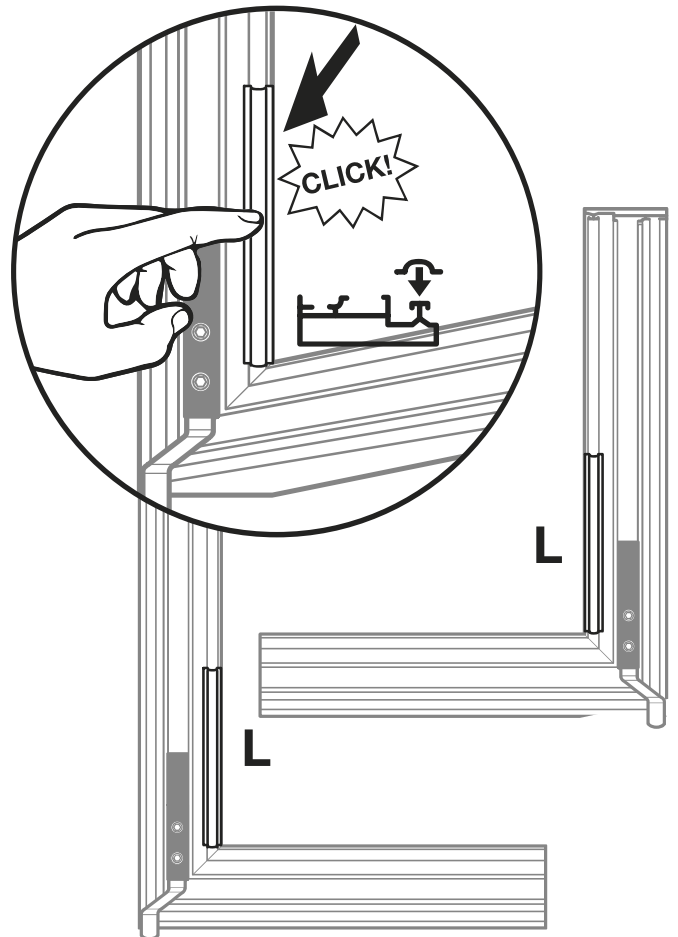
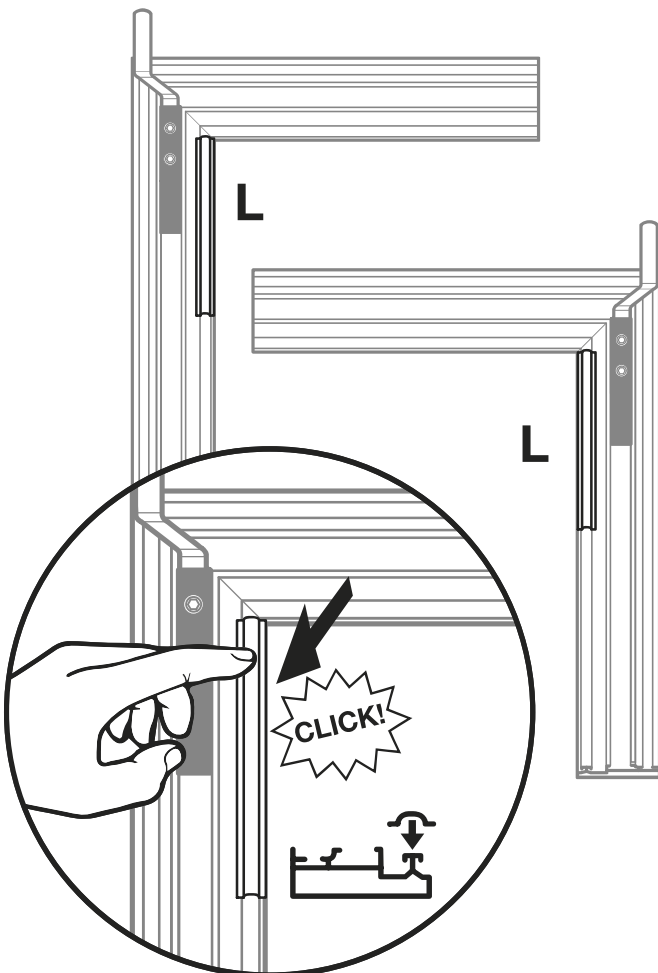
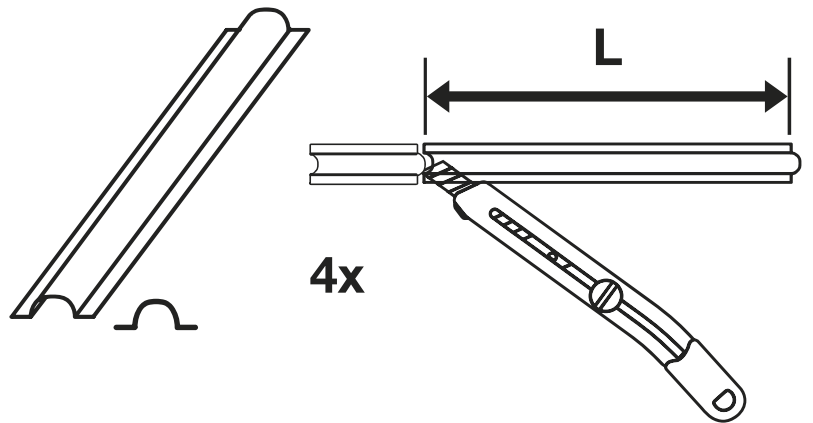
Y = \_\_\_\_\_ mm

$L = \frac{Y}{2} - 600 =$  \_\_\_\_\_ mm

**150x180**

Y = \_\_\_\_\_ mm

$L = \frac{Y}{2} - 580 =$  \_\_\_\_\_ mm



4

**120x140**

Y = \_\_\_\_\_ mm

$B = \frac{X}{2} - 385 =$  \_\_\_\_\_ mm

**80x100**

Y = \_\_\_\_\_ mm

$B = \frac{X}{2} - 235 =$  \_\_\_\_\_ mm

**120x240**

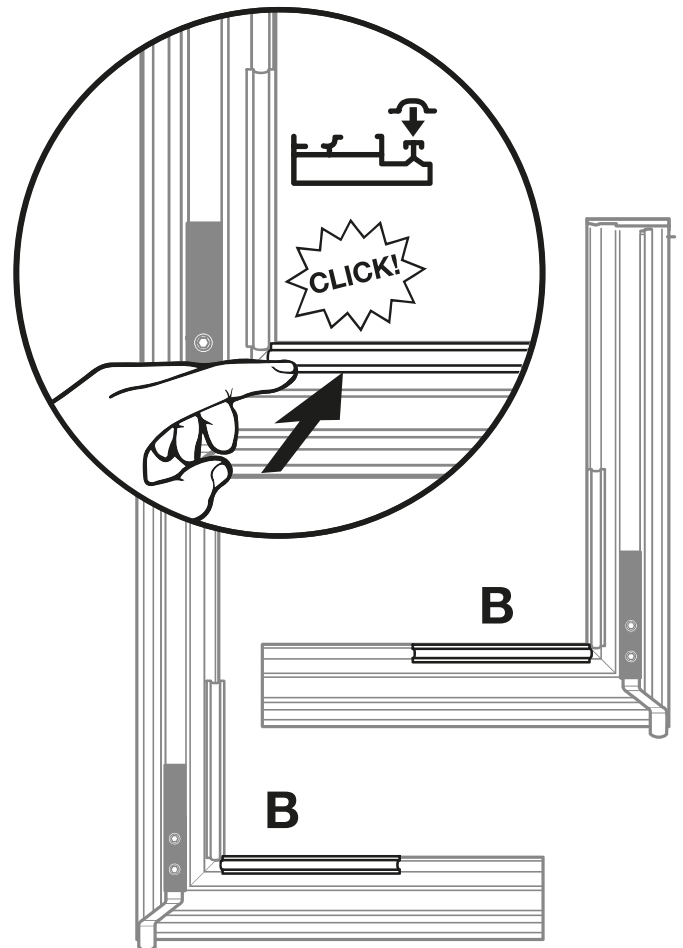
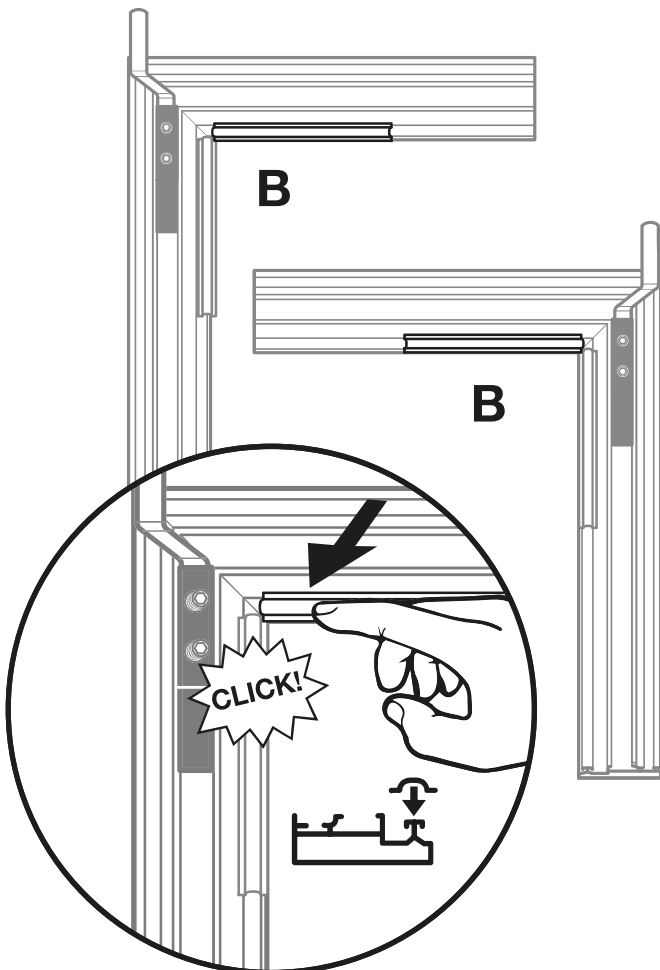
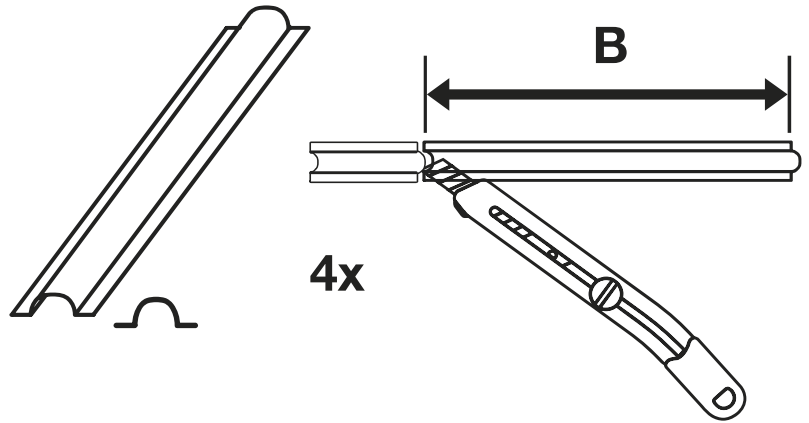
Y = \_\_\_\_\_ mm

$B = \frac{X}{2} - 480 =$  \_\_\_\_\_ mm

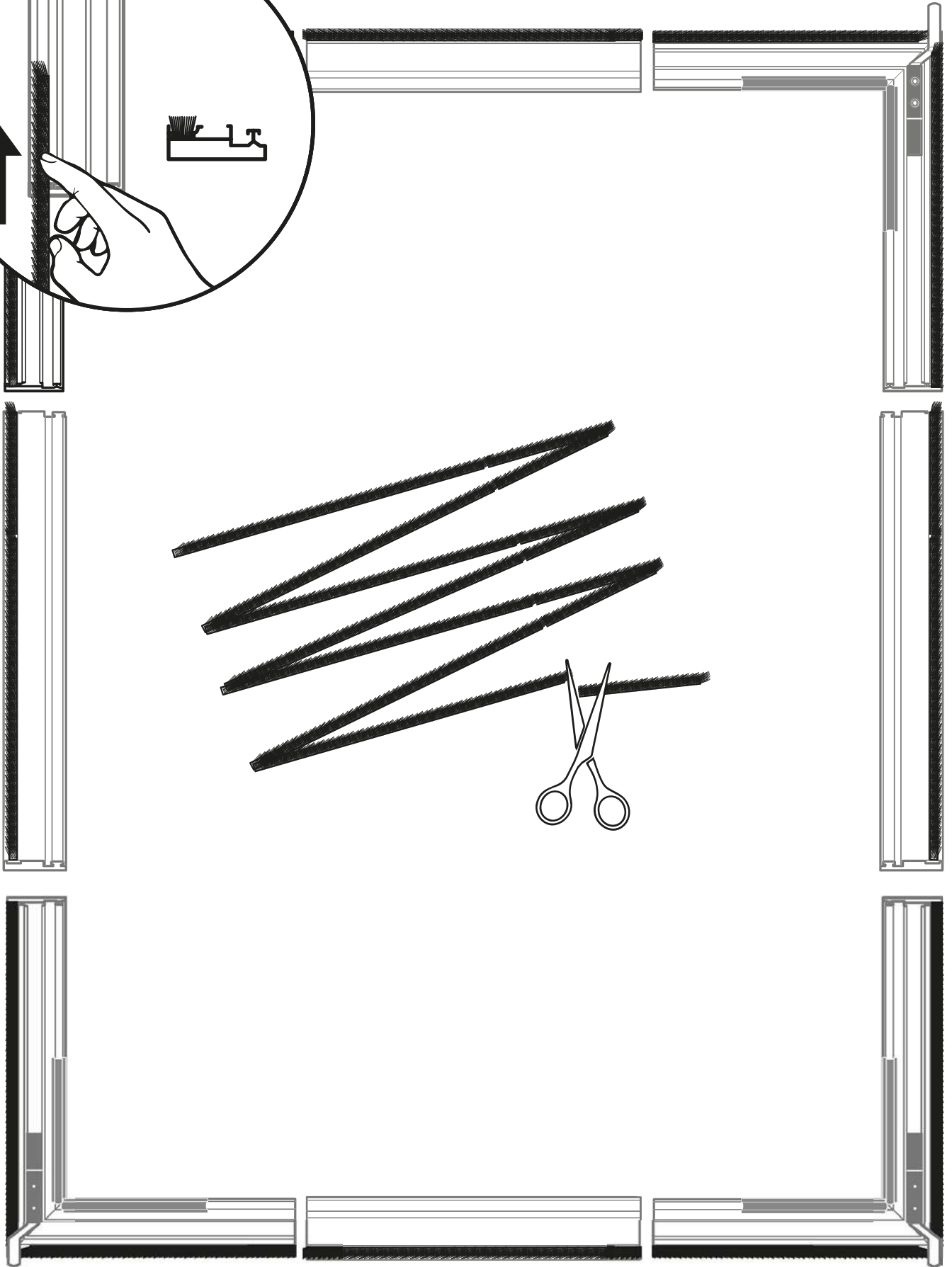
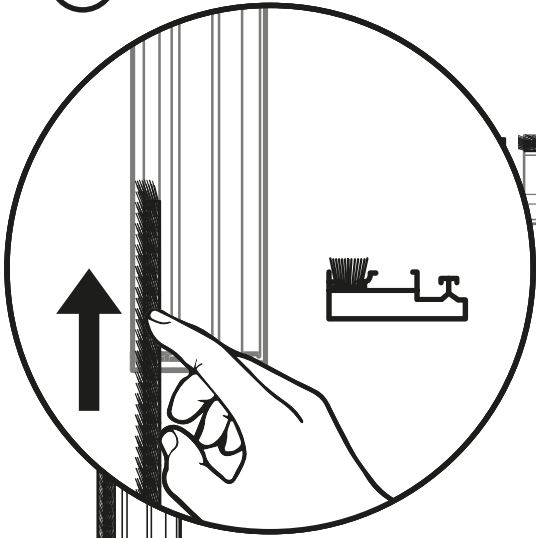
**150x180**

Y = \_\_\_\_\_ mm

$B = \frac{X}{2} - 535 =$  \_\_\_\_\_ mm

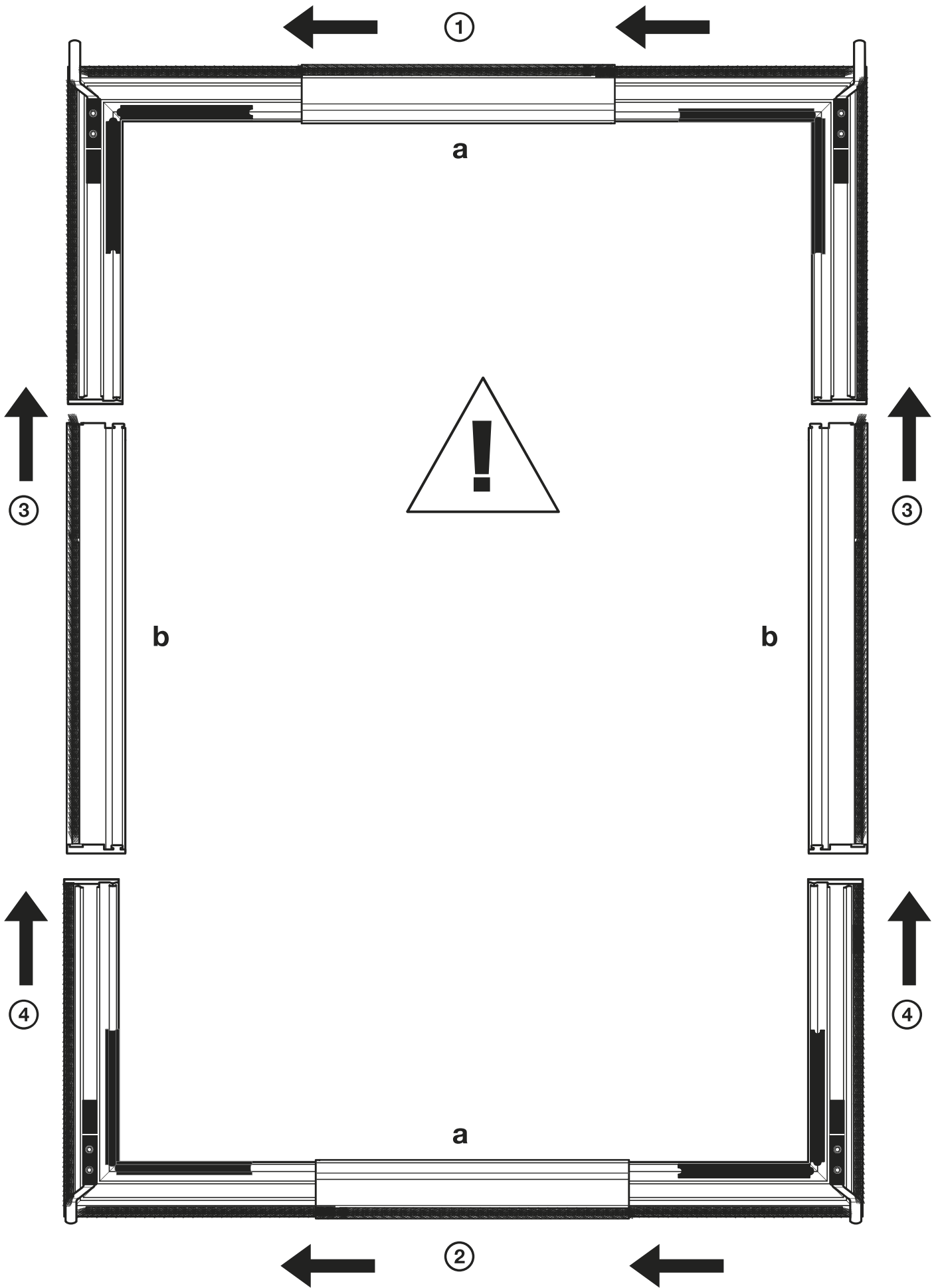


5

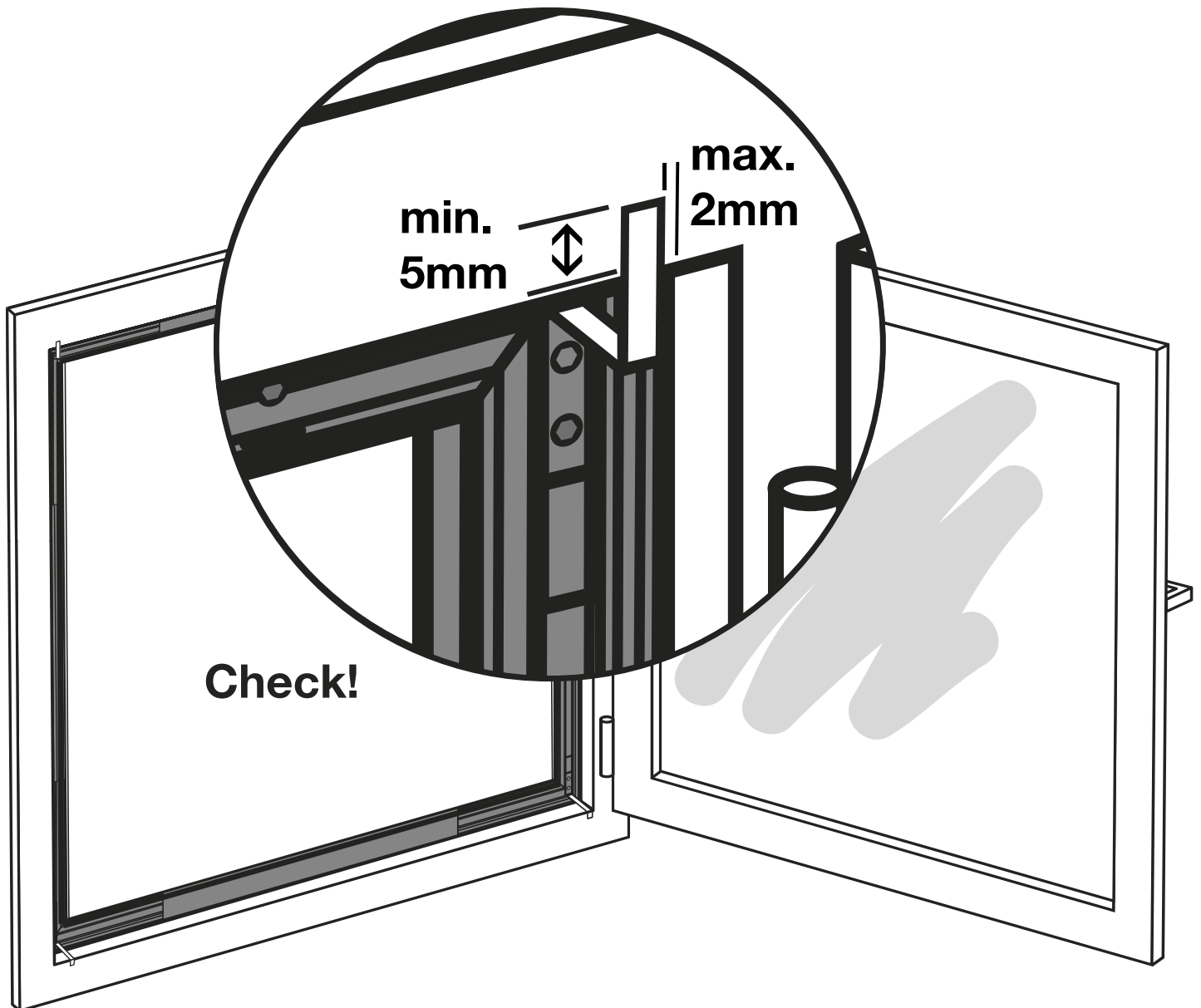
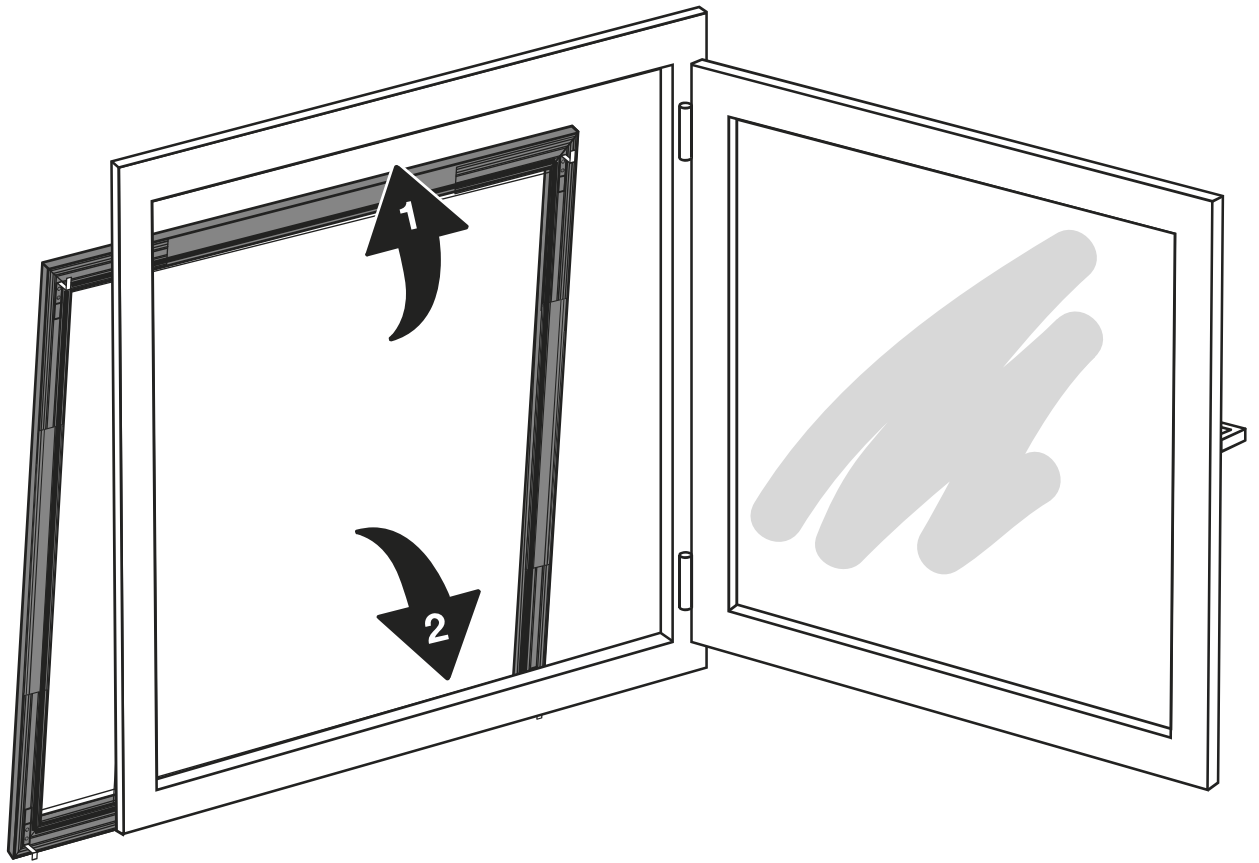




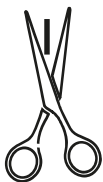
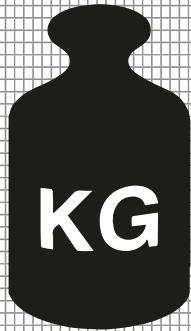
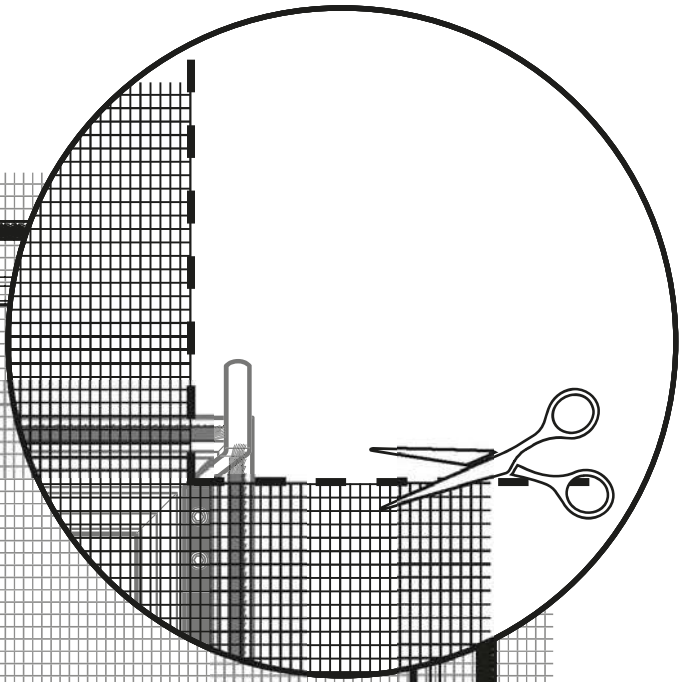
6



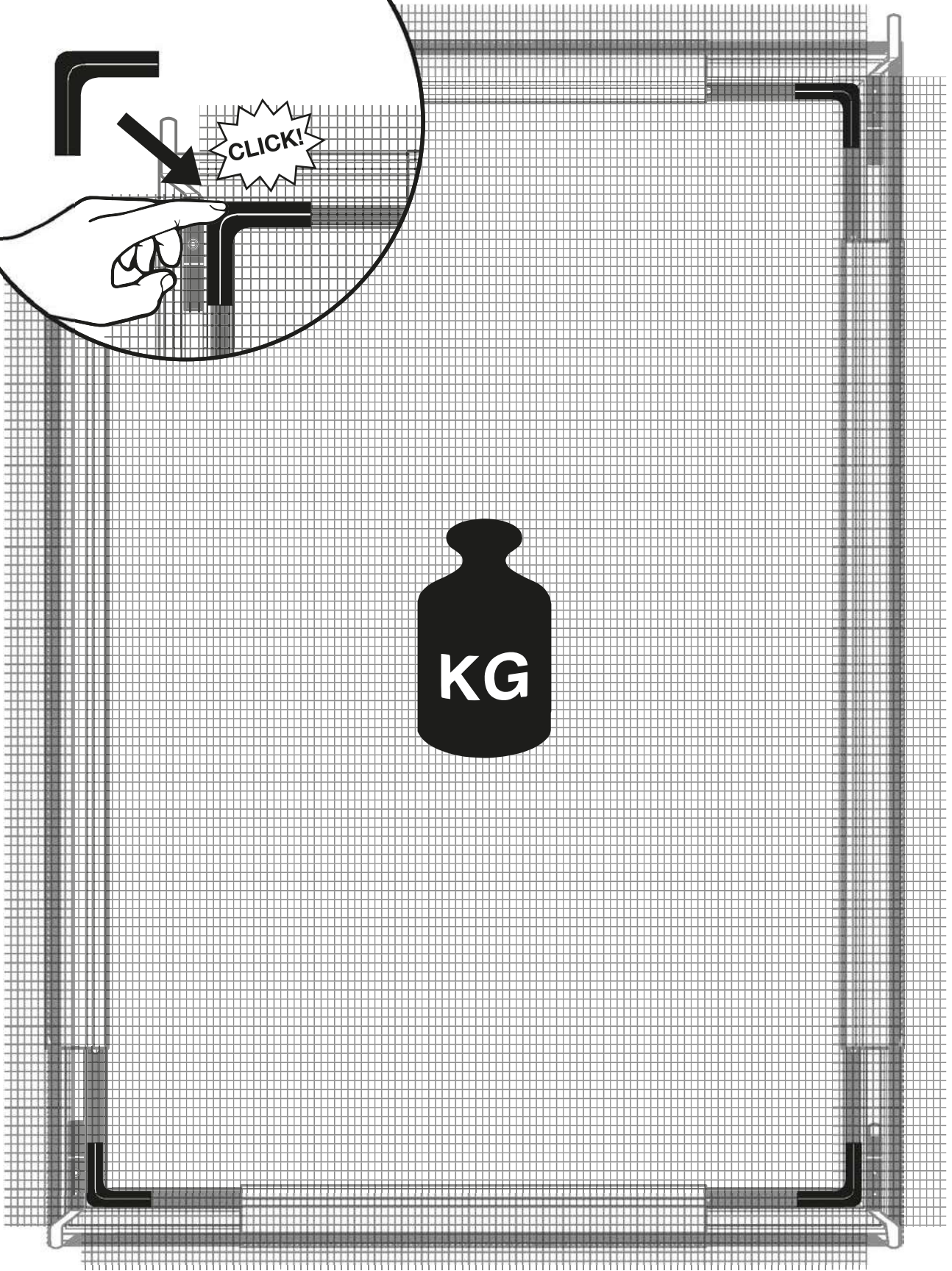
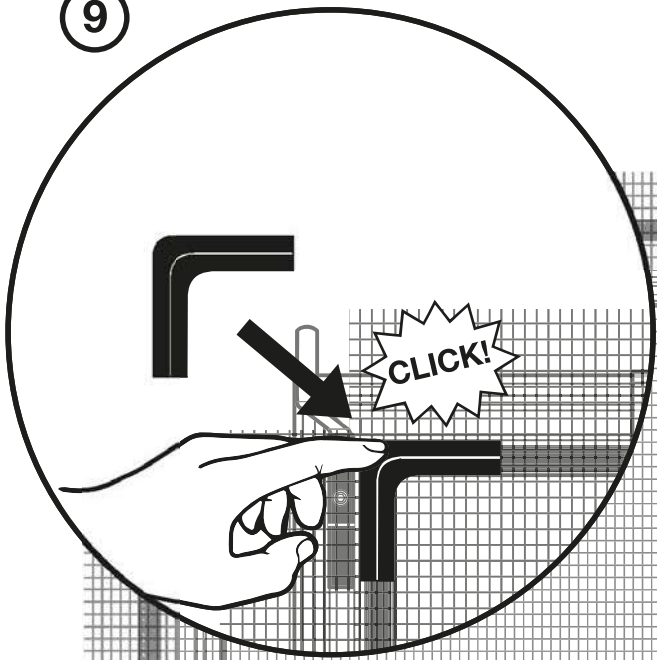
7



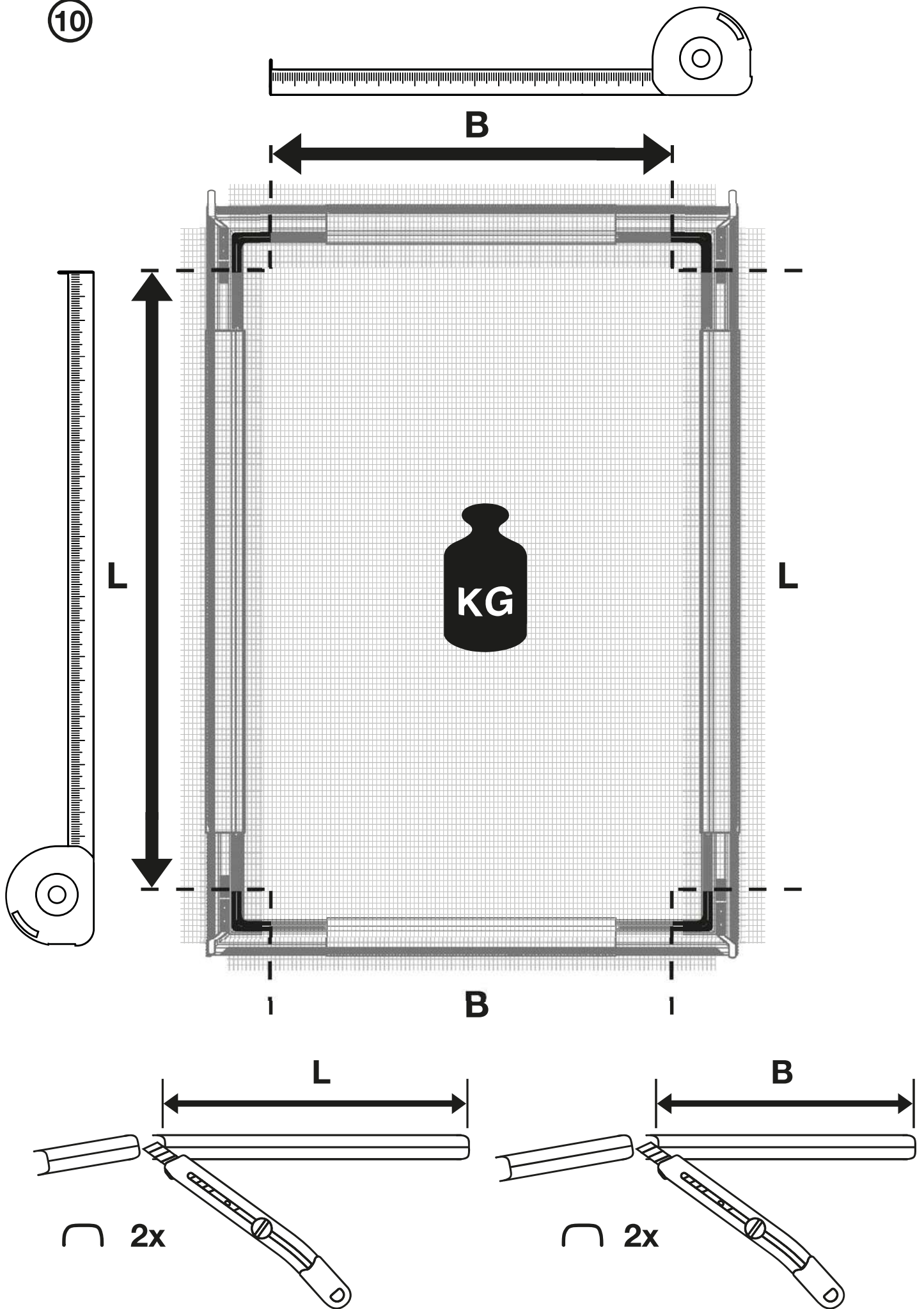
8



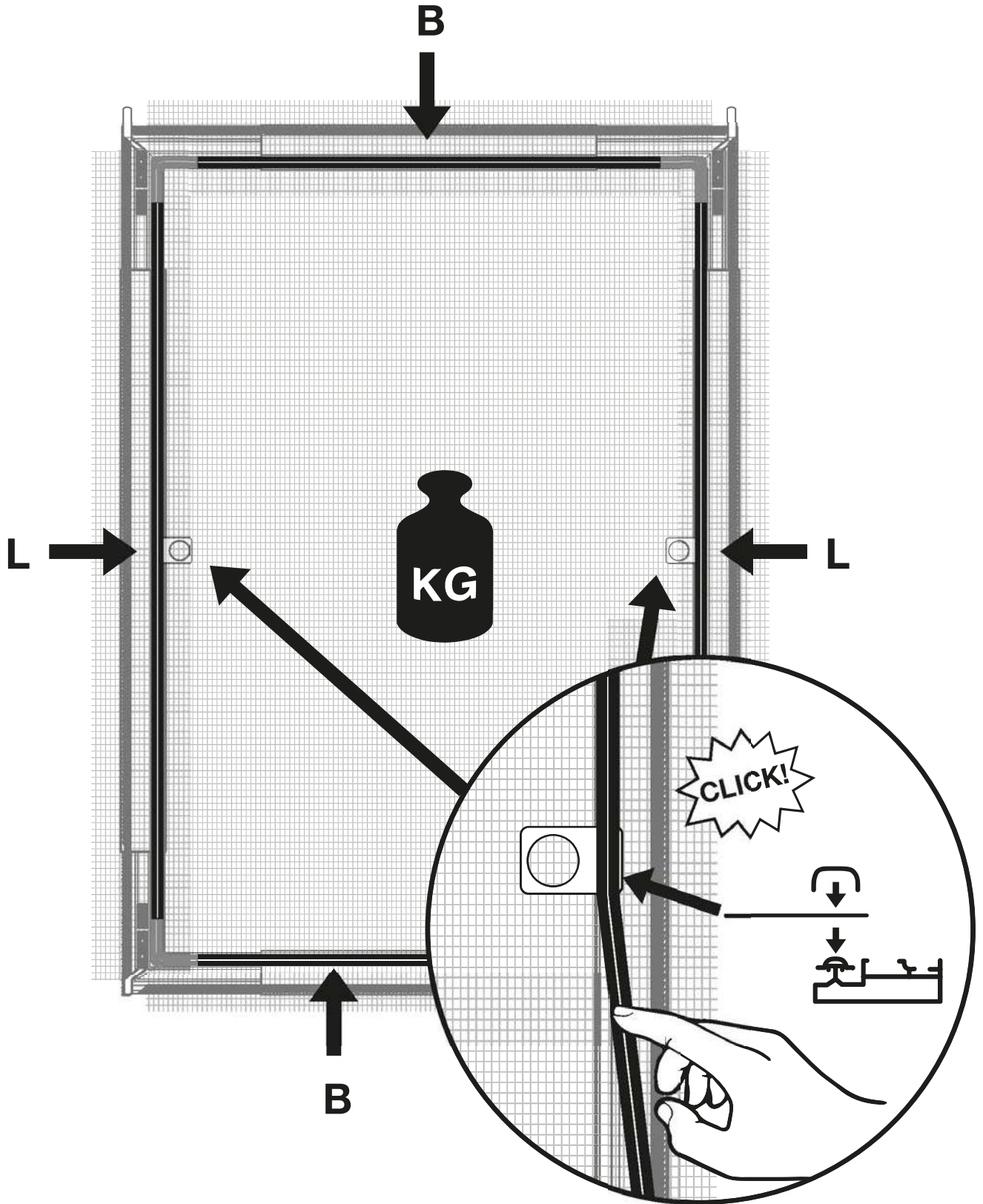
9



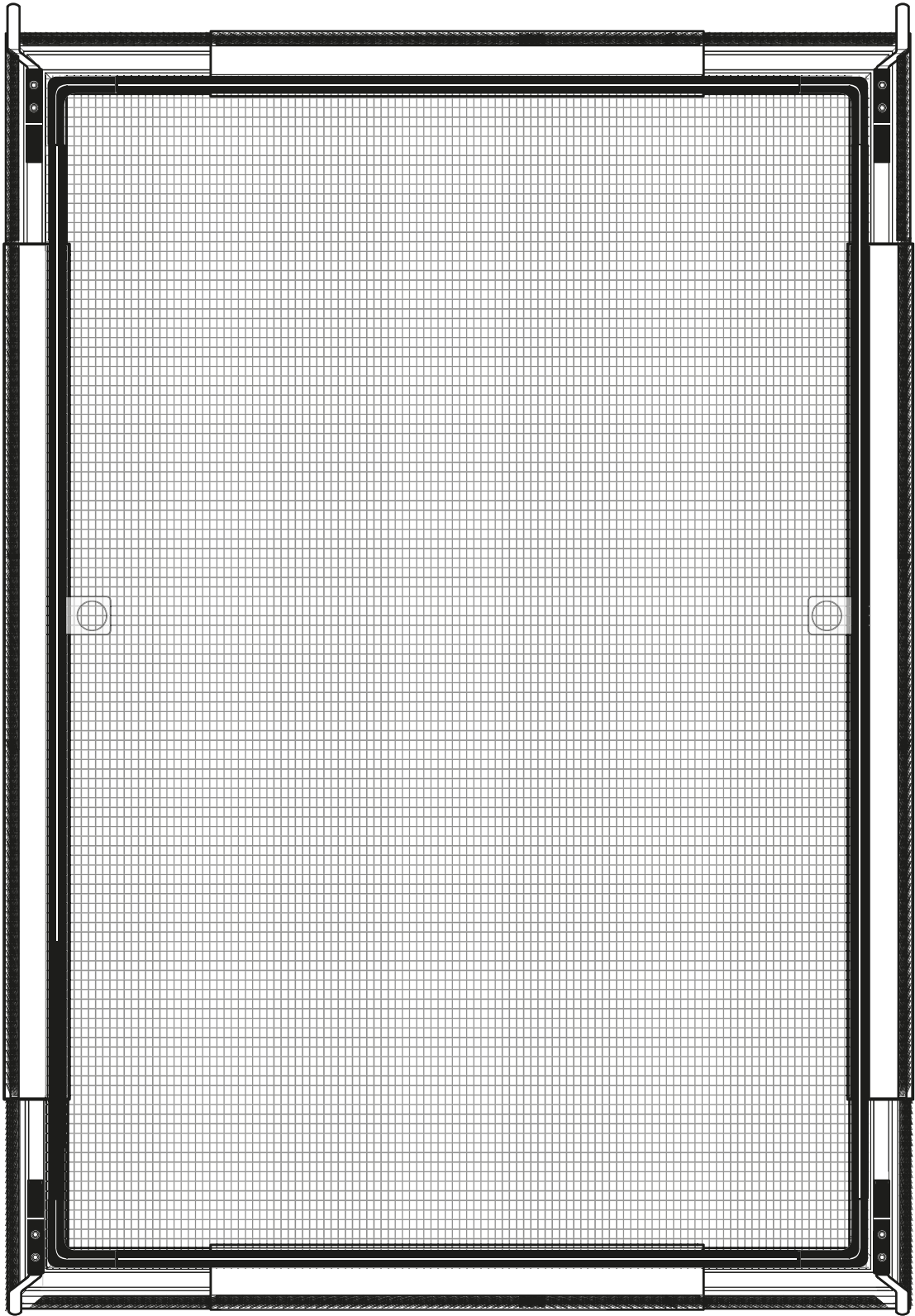
10



11









13

